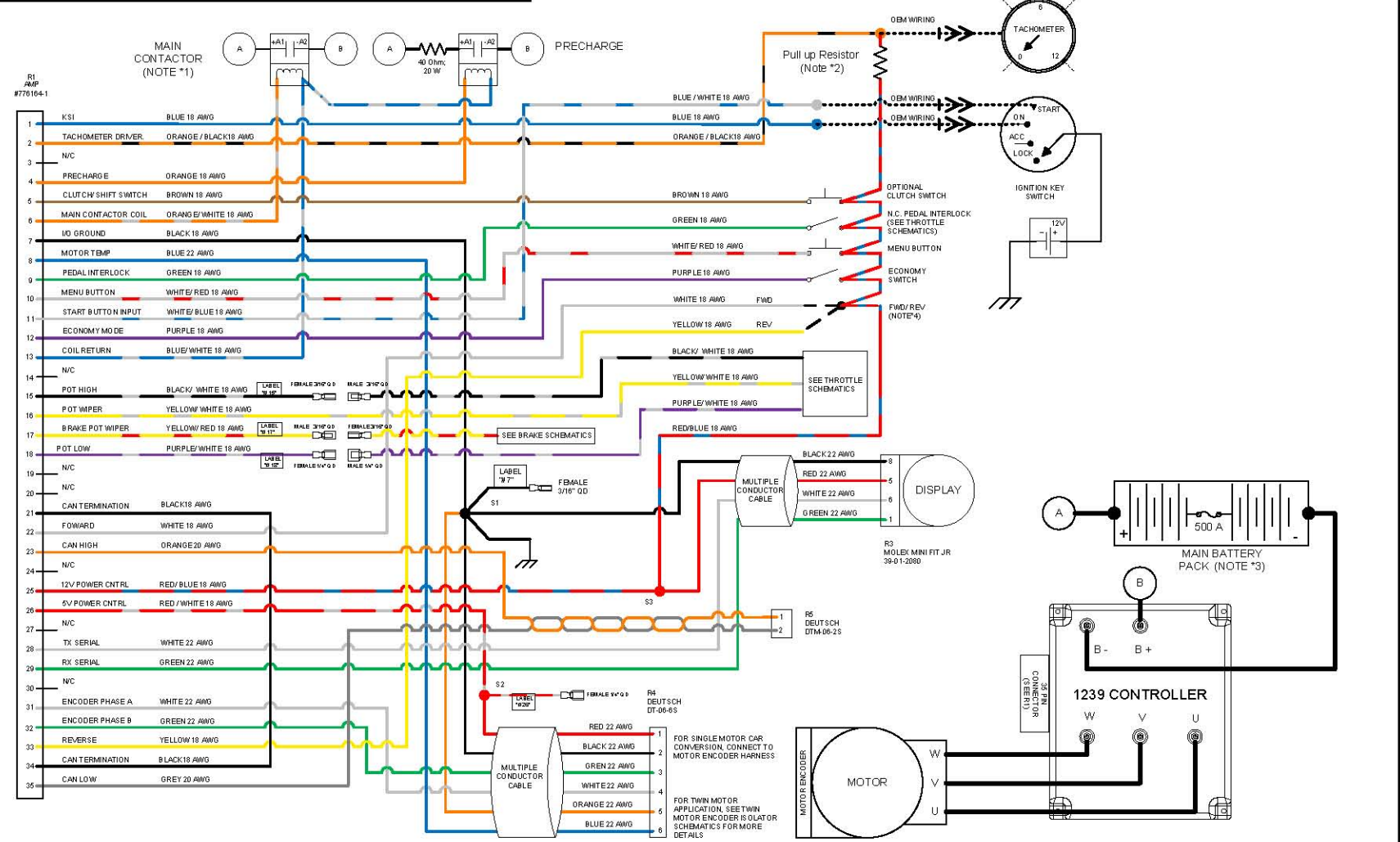


NOTICE: This drawing is the property of H Performance Electric Vehicle Systems, Inc. and/or its subsidiaries and affiliates (individually and collectively "HPEVS"), and contains highly proprietary, confidential, and trade secret information of HPEVS. The recipient of this drawing agrees (a) to use the information contained herein for the purpose for which it was furnished by HPEVS (b) to return this drawing upon HPEVS request. This notice shall appear on any complete or partial reproduction of this drawing.



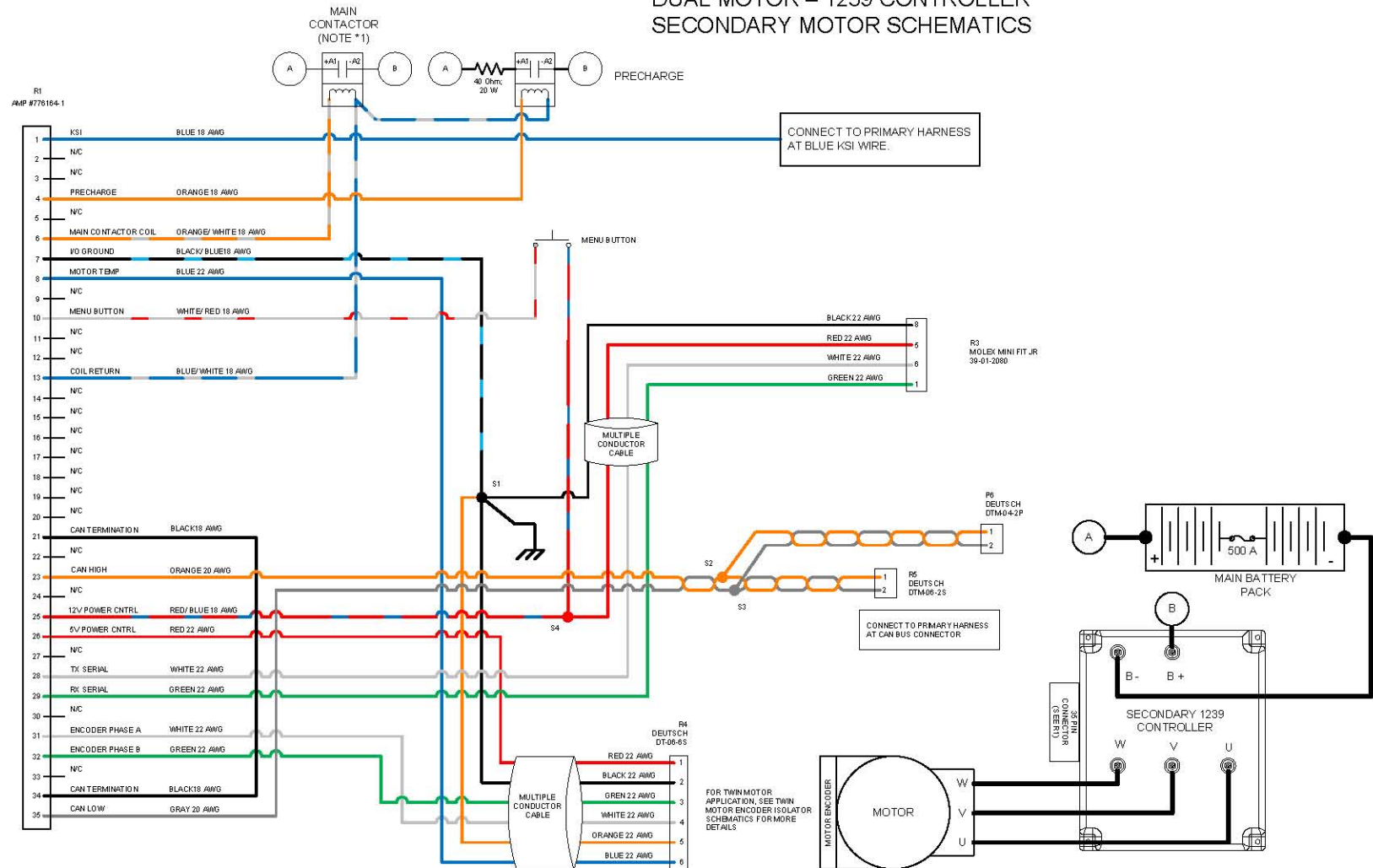
NOTES:

- (*1) USE SUPPLIED CONTACTOR
- (*2) TACHOMETER THAT IS DESIGNED TO WORK OFF OF AN IGNITION COIL WILL NOT WORK. SOME TACHOMETER MAY NEED A PULL UP RESISTOR FROM 470 TO 10K Ω
- (*3) A BATTERY MANAGEMENT SYSTEM (BMS) IS STRONGLY RECOMMENDED IF LITHIUM ION BATTERIES ARE USED. POSSIBLE SOURCE OF BMS IS EWERT ENERGY SYSTEM'S ORION BMS (www.orionbms.com)
- (*4) FORWARD IS CLOCKWISE MOTOR ROTATION FROM ENCODER SIDE VIEW. DEPENDING ON TRANSMISSION CONFIGURATION, USE EITHER WIRE TO OBTAIN DESIRED ROTATION. USE FWD & REV SWITCH IN DIRECT DRIVE APPLICATIONS

CAD TYPE	APPLICABLE SOFTWARE
VISION	DRAWING
UNIT NONE	1010-AUTO-CONVERSION-1239
DRW SIZE A	TITLE 1239 CONTROLLER
DATE 4/12/13	ON-ROAD VEHICLE CONVERSION / PRIMARY DUAL MOTOR SCHEMATICS
SCALE 1:1	SHEET 1 OF 1
	REVISION A
	HPEVS

NOTICE: This drawing is the property of H Performance Electric Vehicle Systems, Inc. and/or its subsidiaries and affiliates (individually and collectively "HPEVS"), and contains highly proprietary, confidential, and trade secret information of HPEVS. The recipient of this drawing agrees (s) to use the information contained herein for the purpose for which it was furnished by HPEVS (s) to return this drawing upon HPEVS request. This notice shall appear on any complete or partial reproduction of this drawing.

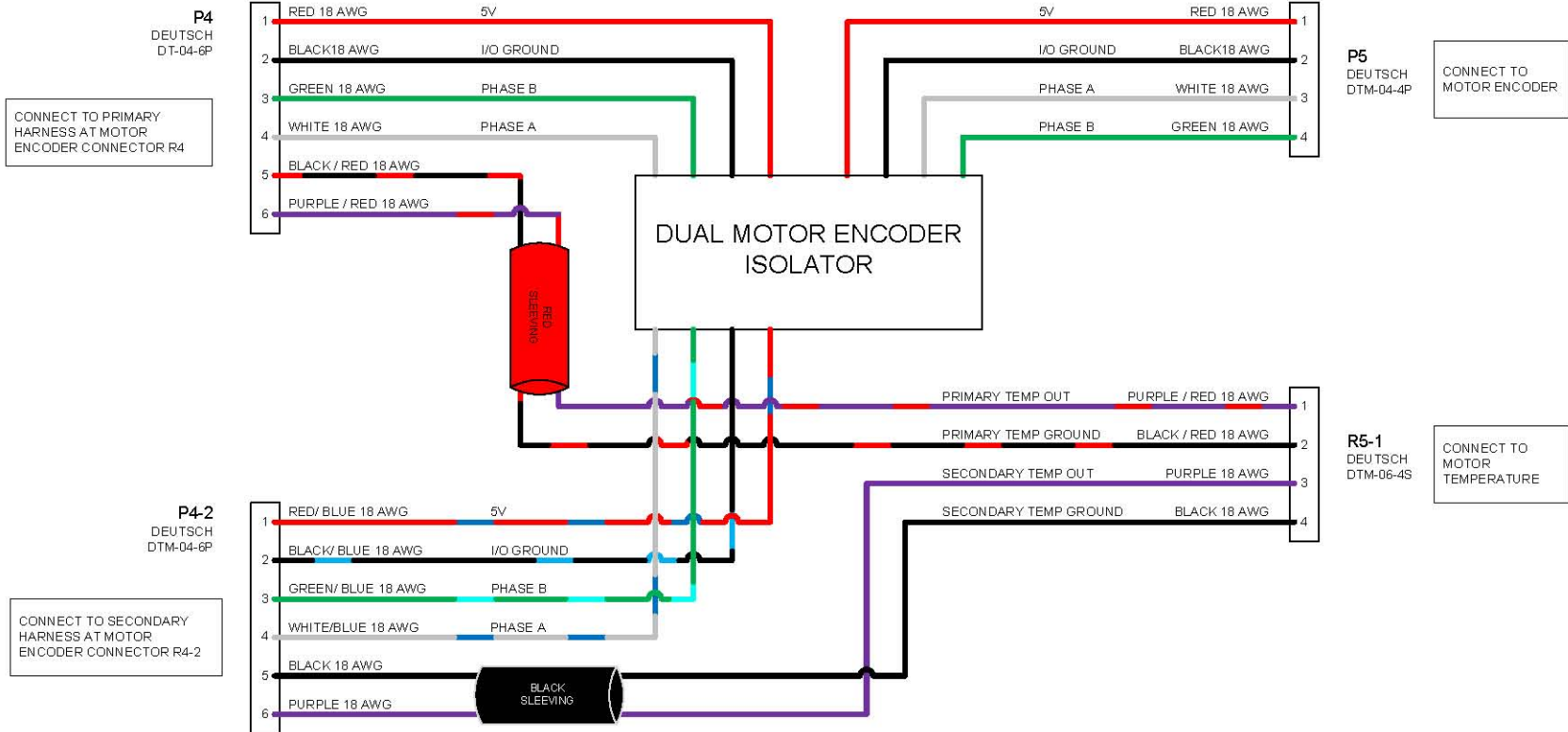
DUAL MOTOR – 1239 CONTROLLER SECONDARY MOTOR SCHEMATICS



NOTES:
 (*1) USE SUPPLIED CONTACTOR

CAD TYPE	APPLICABLE SOFTWARE
VISIO	
UNIT	DRAWING 1010-AUTO-CONVERSION-1239-TWIN-MOTOR SECONDARY
DRW SIZE	TITLE 1239 CONTROLLER SECONDARY DUAL MOTOR SCHEMATICS
A	
DATE	4/12/13
SCALE	SHEET 1 OF 1 REVISION A HPEVS
1:1	

NOTICE: This drawing is the property of Hi Performance Electric Vehicle Systems Inc., and/or its subsidiaries and affiliates (individually and collectively "HPEVS"), and contains highly proprietary, confidential, and trade secret information of HPEVS. The recipient of this drawing agrees (a) to use the information contained herein for the purpose for which it was furnished by HPEVS (b) to return this drawing upon HPEVS request. This notice shall appear on any complete or partial reproduction of this drawing.



CAD TYPE VISO	CAD LOC.	APPLICABLE SOFTWARE	DRW SIZE B
OPER. NO.	UNIT	DRAWING 1010-TWIN-ENCODER-ISOLATOR	
DESIGN	DETAIL	TITLE DUAL MOTOR ENCODER ISOLATOR SCHEMATICS	
CHECKED	SAFETY		
SCALE NONE	DATE 4/2/2013	REVISION A	HPEVS
		SHEET 1 OF 1	